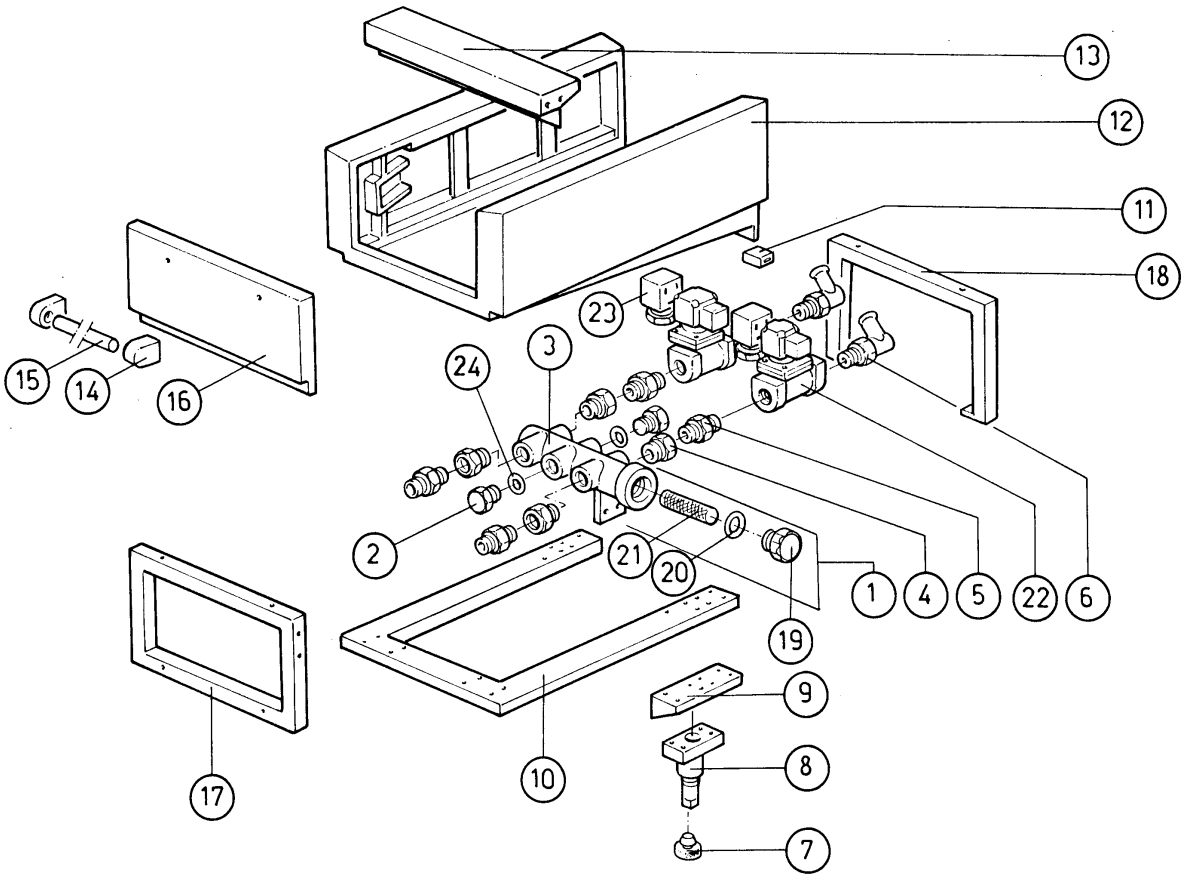


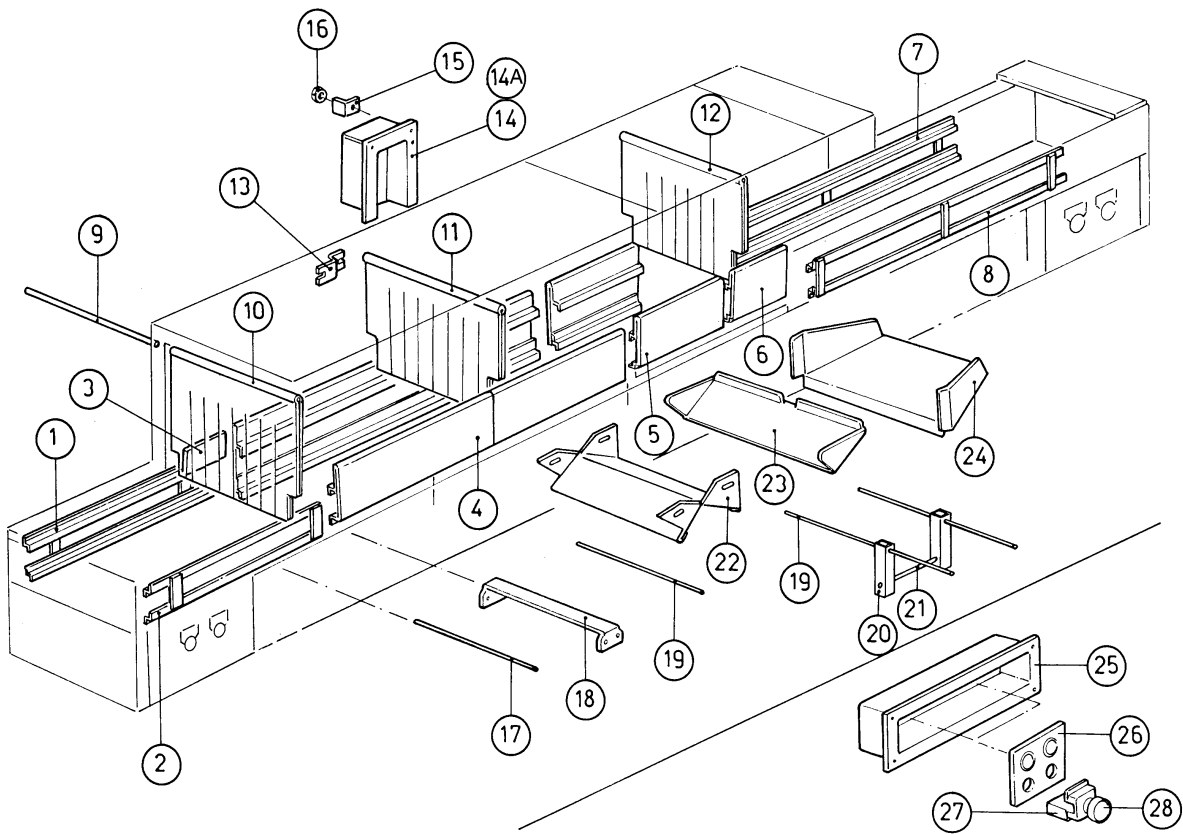
**2 - Hood**

<b>CODE</b>	<b>DESCRIPTION</b>
160527	PLUG 14,5X2X8
190129	HANDLE SUPPORT SE NE GREY
200402	SELF-ADHES.RUBB.SPONGE STRIPS
320989	DOOR
320990	DOOR 600
320991	DOOR
330760	DOOR CATCH S3Ø-S90.SNL
330778	BRACKET
331012	HANDLE 412 MM DOOR SE NE G115
331013	HANDLE 717MM FOR SE-NE DOORS
331014	SHORT HANDLE F. RINSE DOOR NE
331425	DOOR CATCH BRACKET SE
341434	WASH TANK NG
341506	WASH HOOD 1000 NG
341508	RINSE HOOD 1000 NG
341509	HOOD



### 3 - Loading table

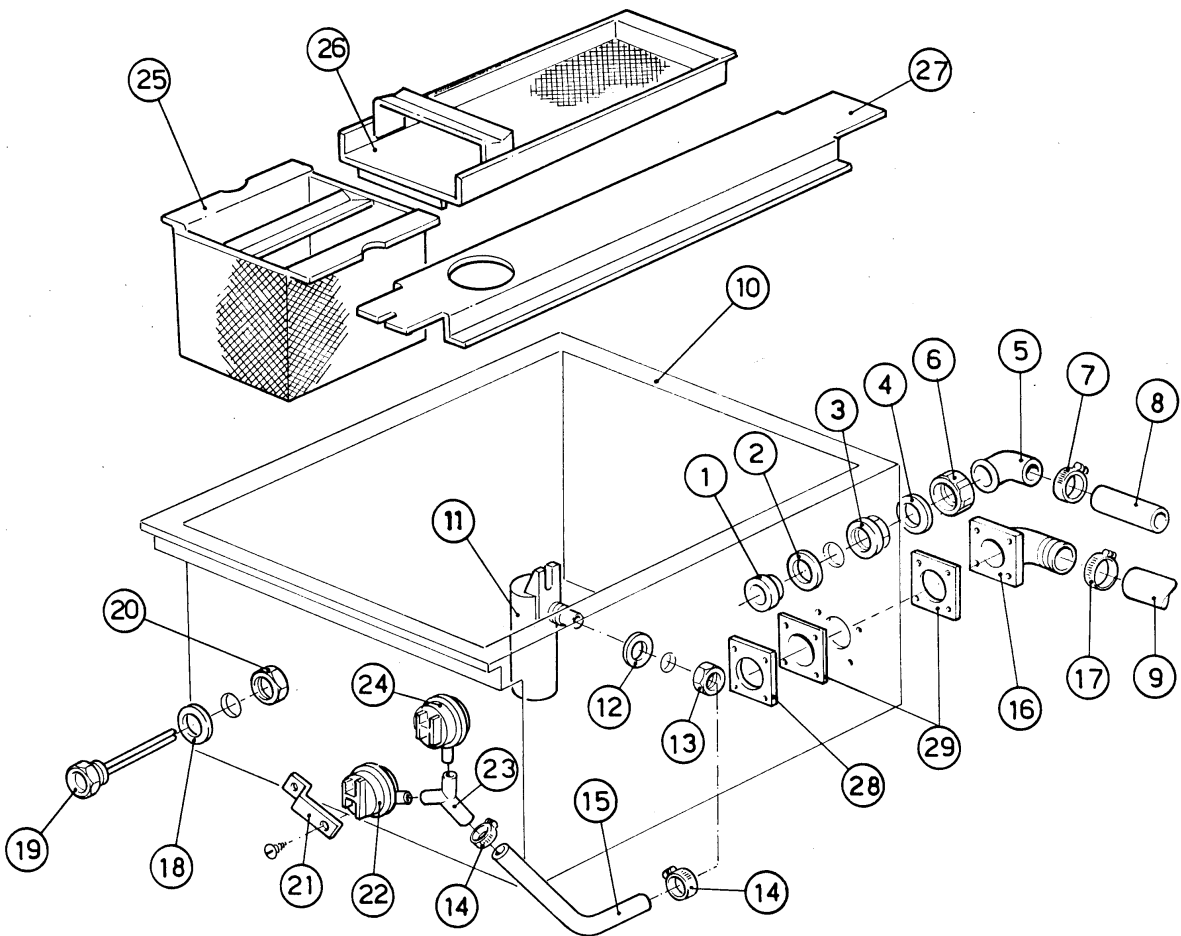
CODE	DESCRIPTION
120131	SOLEN. L182Q31-ZB10A 1/2"24V
150034	CONNEC.F.SOLEN.VALVE 122.09.N
160502	PANEL MOUNTING BLOCK
160709	KNOB OF MANIFOLD F. SOLEN. VAL
190129	HANDLE SUPPORT SE NE GREY
200814	O-RING 34,52X41,58X3,53
210404	BLACK RUBBER FOOT S90 NE SE
280504	MANIFOLD CONN.HOSE
290105	BRASS-TE-PLUG 1/2"
290215	1/2"BSP M/F UNION BRASS
320992	DOOR
330526	FILTERS 22X28 SOLENOID V.MANIF
331012	HANDLE 412 MM DOOR SE NE G115
340575	ENTRY AND EXIT TABLE NG
340614	ENTRY TABLE COVER
350811	JUNCTION
391243	FRAME
391244	FRAME
391249	FRAME
460522	GASKET
510268	SOLENOID VALVE MANIFOLD
510403	CONNECT.HOSE 90Ø1/2"X12
620110	TWIN SOLENOID VALVE MANIFOLD
620222	COMPLETE ALUMINIUM LEGS



#### 4 - Guides+ curtains

CODE	DESCRIPTION
130410	STOP CONTACT F40 CN RED
130411	START CONTACT YELLOW
161111	BACK COVER CHANNEL 130 N S2900
161112	BACK COVER CHANNEL 300 S N
161203	PLASTIC CUP FOR SWITCH PROTECT
190918	CURTAIN IN/OUT NG-910X680
190919	MIDDLE CURTAIN NG-910X680
190920	CURTAIN FOR ECORINSE NG-910X44
260412	SELF-LOCKING NUT M6
320811	PREWASH 600 NE GUIDE
320819	RINSE 400 NE GUIDE
320820	WASH 1000 GUIDE
320865	GUIDE
321080	SUPPORT
321964	GUIDE
321965	GUIDE
321966	RIGHT GUIDE
321967	LEFT GUIDE
330416	DEFLECTOR FOR WASH TANK
330417	VORTEX BREAKER FOR ECORINSE
330423	DEFLECTOR
330715	UPPER BRACKET CURTAIN SNL-SE
341271	PIN
341272	PIN
341274	PIN
341276	SPINDLE FOR CURTAIN NG
341372	WASH ARM SUPPORT
350781	BRACKET
460789	PLATE

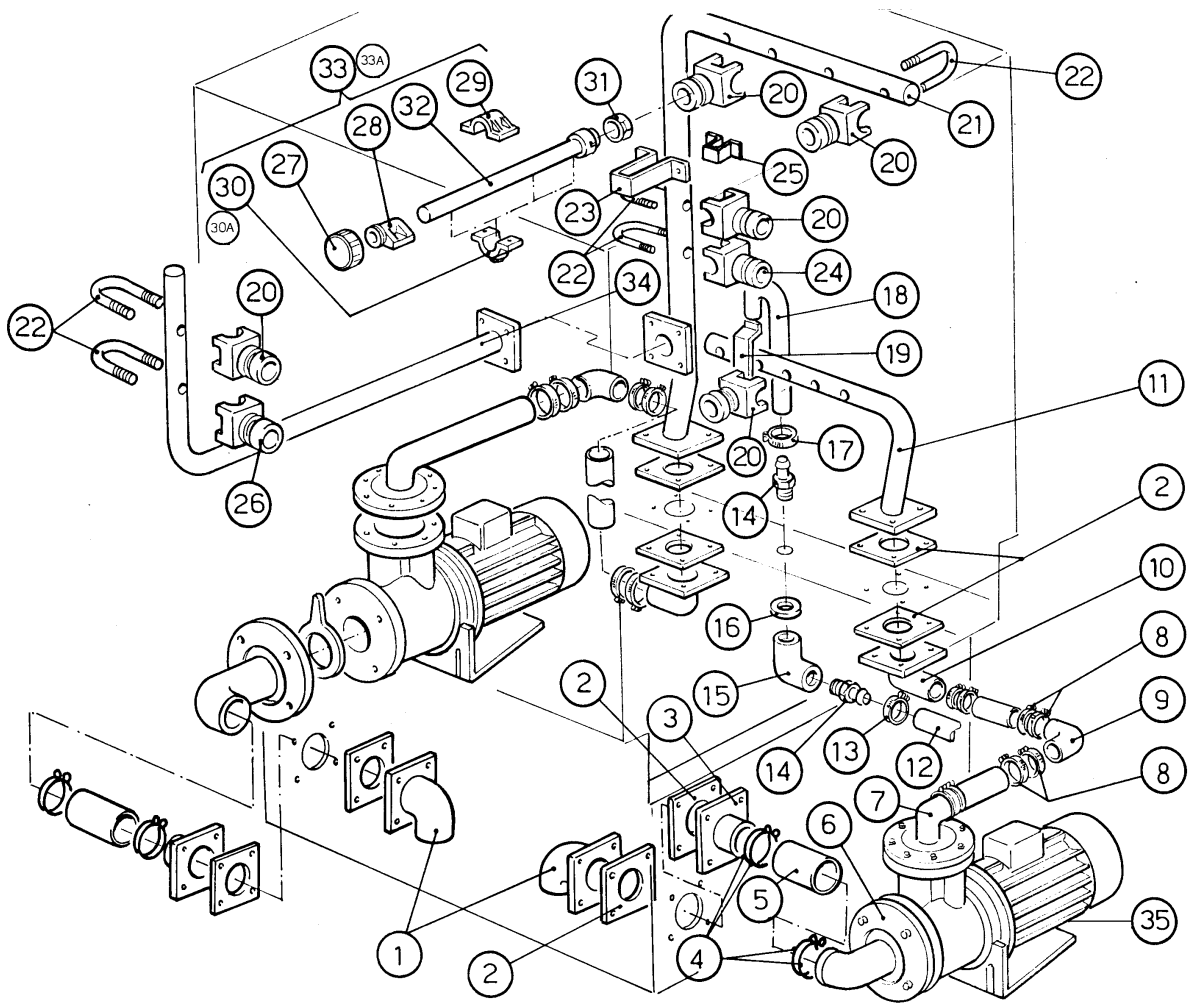
5 - 1st Wash section



## 5 - 1st Wash section

CODE	DESCRIPTION
130605	PRESSURE SWITCH 50-30 1 LEVEL
130609	1 LEVEL PRESSURE SWITCH 110-70
160203	ELBOW 1"1/2 N-S-F-C /DRAIN
160301	DRAIN OUTLET 1"1/2 C-S-N
161301	AIR TRAP F2 C34-F45
180102	DRAIN PIPE NUT 1"1/2 F45-55
180109	LOCK NUT 1 1/2"
190314	Y-NIPPLE OF PRESS.SWITCH N 2S
200116	RUBBER HOSE 60X70
200120	RUBBER HOSE 35X48
200353	PRESS.SWITCH HOSE B23-10-1-2-C
200405	GASKET 110X100X63 IN NEOTEN
200410	DRAIN OUTL.WASH.1 1/2"65X47X2
200412	GASKET DRAIN 11/2" 45X33X3
200415	AIR TRAP GASKET -F2 18,5X10X3
260407	STAINLESS STEEL NUTS D10 UNI 5
260608	CONNECTION0
270101	HEXAGON LOCK NUT 1/2"
321079	CROSS PART F.FILTER SUPP.
330573	FLAT FILTER FOR NG
330574	FILTER DRAWER WASH NG
330921	FLANGE 100X100X61-110
341434	WASH TANK NG
350774	BRACKET
450107	CLAMP FE ZN 38-50 H=12,2
450119	CLAMP FE ZN. 58-75 H=12,2
450125	ELASTIC CLAMP D. 10,4X9,8
450516	THERMOSTAT SHIELD FOR 2 TERMOS
460502	GASKET 30X21X2

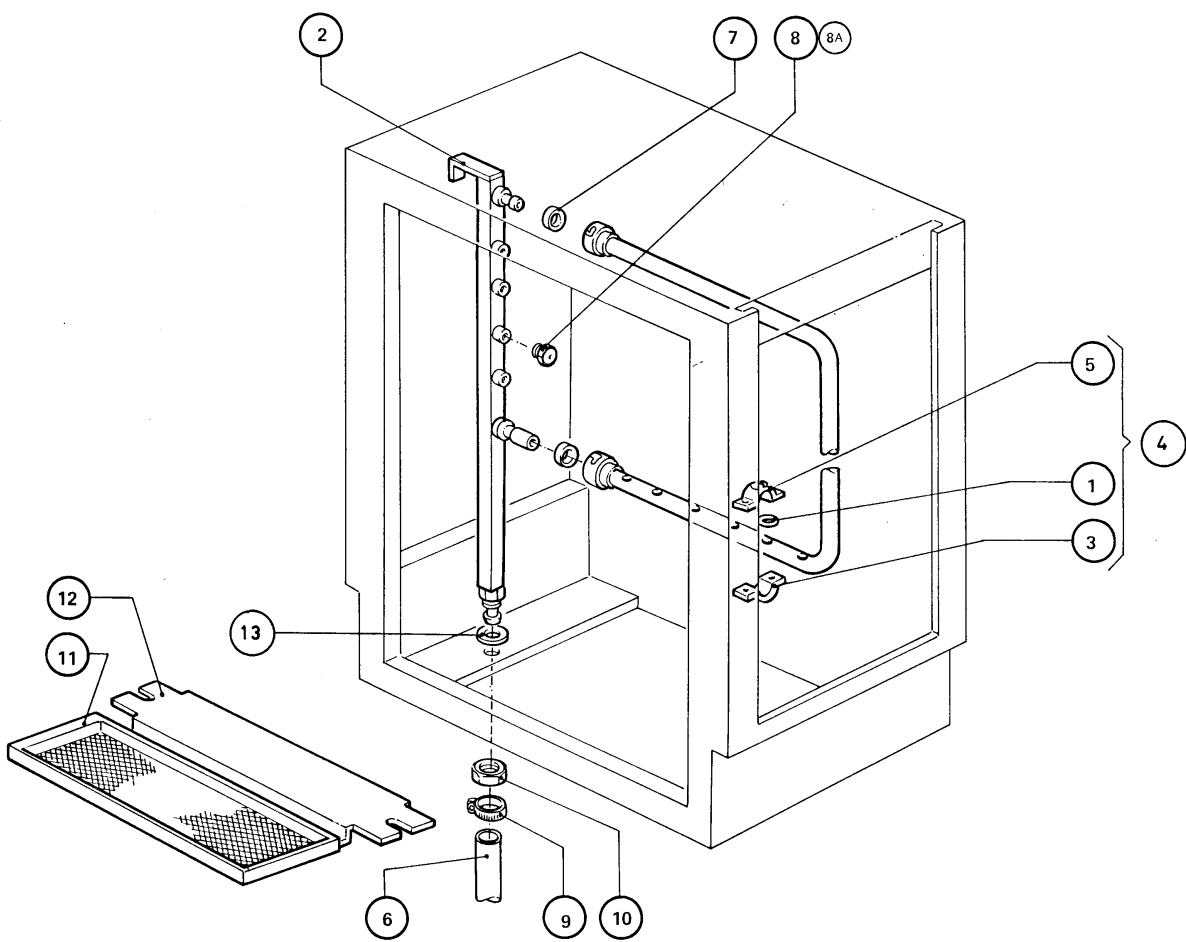




## 6 - Wash Column

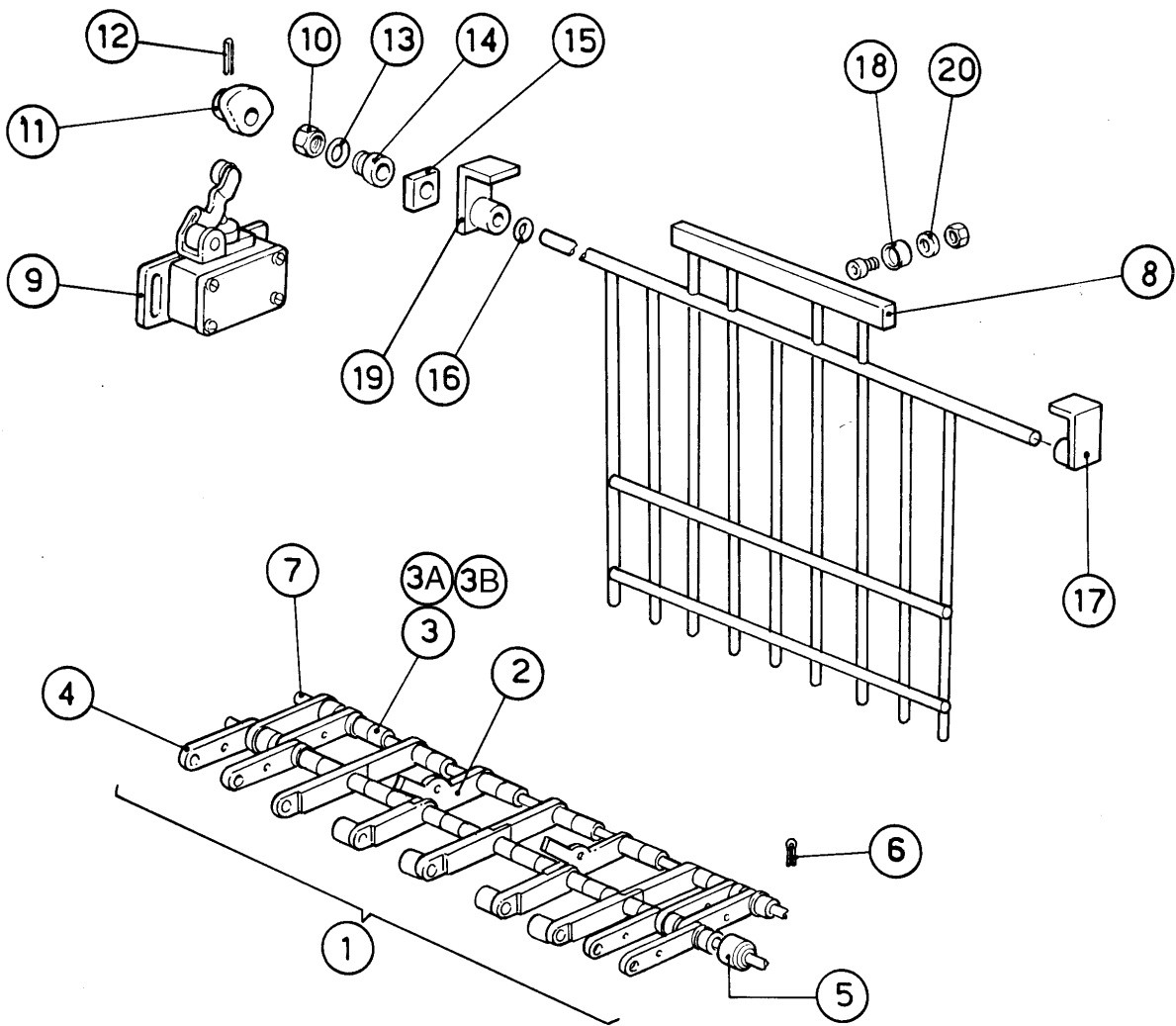
CODE	DESCRIPTION
100697	PUMP HP 4 230/400/50 SHE 50
160724	PLUG F. WASH ARM S90
170909	TRANSVERS. WASH NOZZLE
170955	WASH JET 35Ø
180211	COUNTERFLANGE - WASH JET S-N
180221	COUNTERFLANGE F.WASH ARMS PLUG
190125	LEFT WASHARM SUPPORT SE
190126	RIGHT WASH ARM SUPPORT SE
190127	CENTR. WASH ARM SUPPORT SE
200112	RUBBER TUBE 75X83
200113	RUBBER HOSE 12 X 22
200301	HOSE FOR TANK INLET N-S
200405	GASKET 110X100X63 IN NEOTEN
200463	GASKET PRE-WASH/WASH SHORE 45/
280101	CRANK F.F 1/2"
290410	NIPPLE 1/2"
330218	TIE ROD SE-NE WASH ARM SUPPORT
330789	BRACKET
331547	UPPER WASH COLUMN NG
331549	LOWER WASH COLUMN NG
331551	ELBOW FOR WASH COLUMN NG-G75
331552	DELIVERY ELBOW FOR NG
331553	INLET ELBOW FOR NG-GL WASH PUM
331554	INLET ELBOW FOR NG PUMP
331555	INLET ELBOW FOR NG WASH PUMP
331556	DELIVERY ELBOW NG WASH
331709	BRACKET
350758	BRACKET
420161	WASH ARM "NG"
420162	SIDE WASH ARM NG
420163	WASH ARM "NG"
420164	SIDE WASH ARM NG
450101	STAINLESS STEEL CLAMP 15-24 H=
450104	CLAMP FE ZN H=12,5 15-24
450109	CLAMP 50-65
450127	CLAMP FE ZN. 68-85 H=12,2
460502	GASKET 30X21X2

## 7 - Ecorinse Assembly



## 7 - Ecorinse Assembly

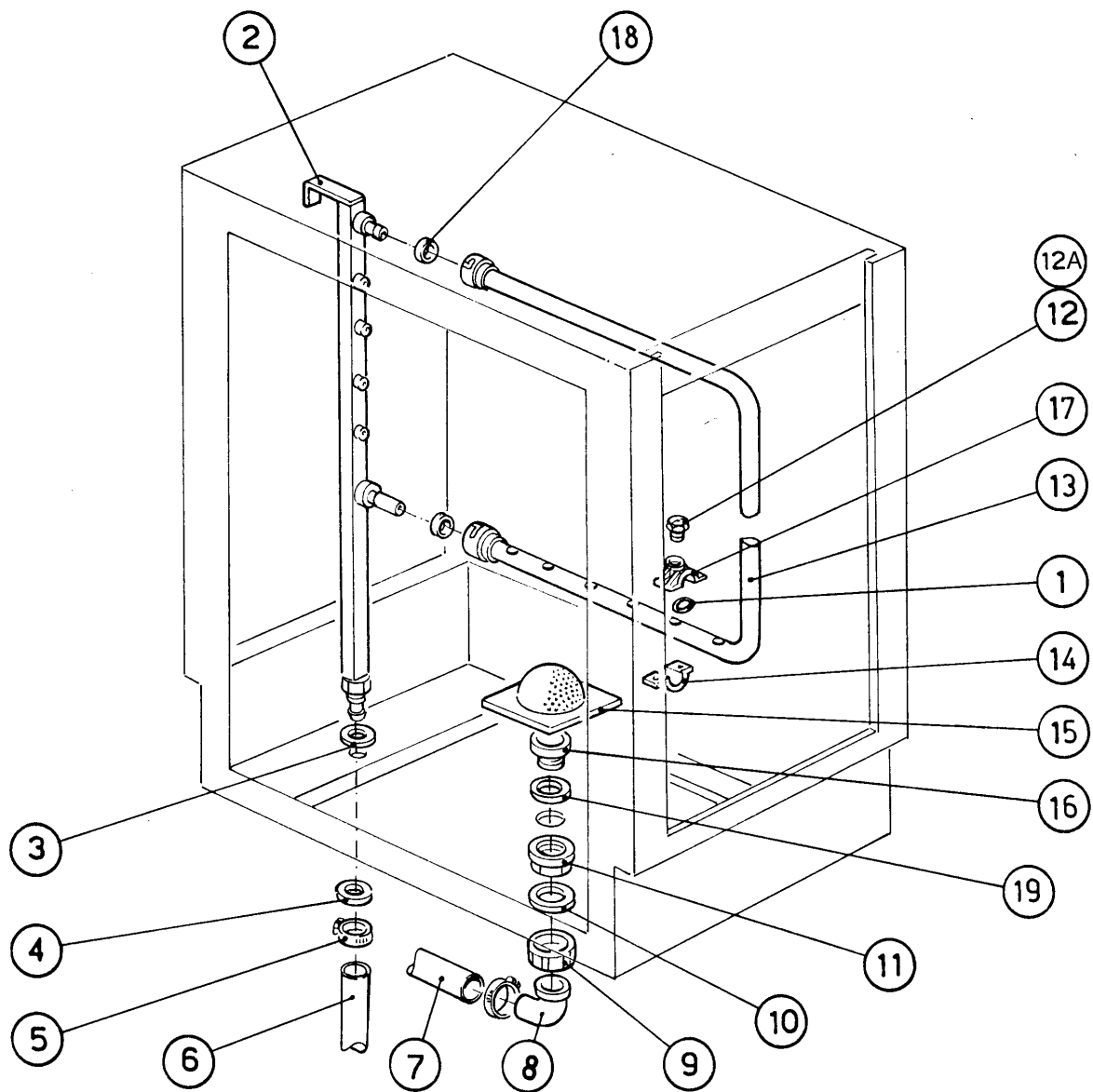
CODE	DESCRIPTION
170954	JET FOR ECORINSE ARM
180213	FLANGE F.JET LOCKING F2-C34
200113	RUBBER HOSE 12 X 22
200480	GASKET F. RINSE CONNECT.
200824	O-RING 1,78X12,42X15,98
270107	BRASS LOCK NUT 3/8" FL803
321079	CROSS PART F.FILTER SUPP.
332005	WASH FILTER NE XL
380320	RINSE JETS OV 1/8" 303 35LT 80
380321	RINSE JETS OV 1/8" 303 40LT 80
430148	ECORINSE ARM FOR "NG"
430415	RINSE COLUMN NG
450105	CLAMP FE ZN. 26-38 H=12,2
460502	GASKET 30X21X2



## 8 - Economiser + Conveyor

CODE	DESCRIPTION
120305	MICRO SWITCH WITH LEVER
160512	SPACER 35,5
160513	SPACER 27,8
160514	SPACER 7,9 108378 MOP
170212	FINGER SHORT FOR BELT 70
170314	GRAY BELTWHEEL N
200809	OR GASKET 1,78X8,73X12,29
210202	RUBBER FOOT GLASSWASHER
260505	STAINL.STEEL FLAT WASHER D8
270101	HEXAGON LOCK NUT 1/2"
330105	LINKS 2 FOR BELT NST.88
341270	PIN
341328	SUPPORT (341846)
341329	SUPPORT (341846)
370212	RINSE ECONOMISER GATE NG
380110	BRASS BEARING D12 F.ECON.N
381001	LOCKING NUT FOR ECONOMIZER N
451002	COTTER PIN STAINL.ST. D2X12
451102	RINSE GATE PIN 3X26
460502	GASKET 30X21X2
510216	N RINSE GATE ECCENTRE
620254	COMPL.SHAFT NG BELT (CENTRAL G

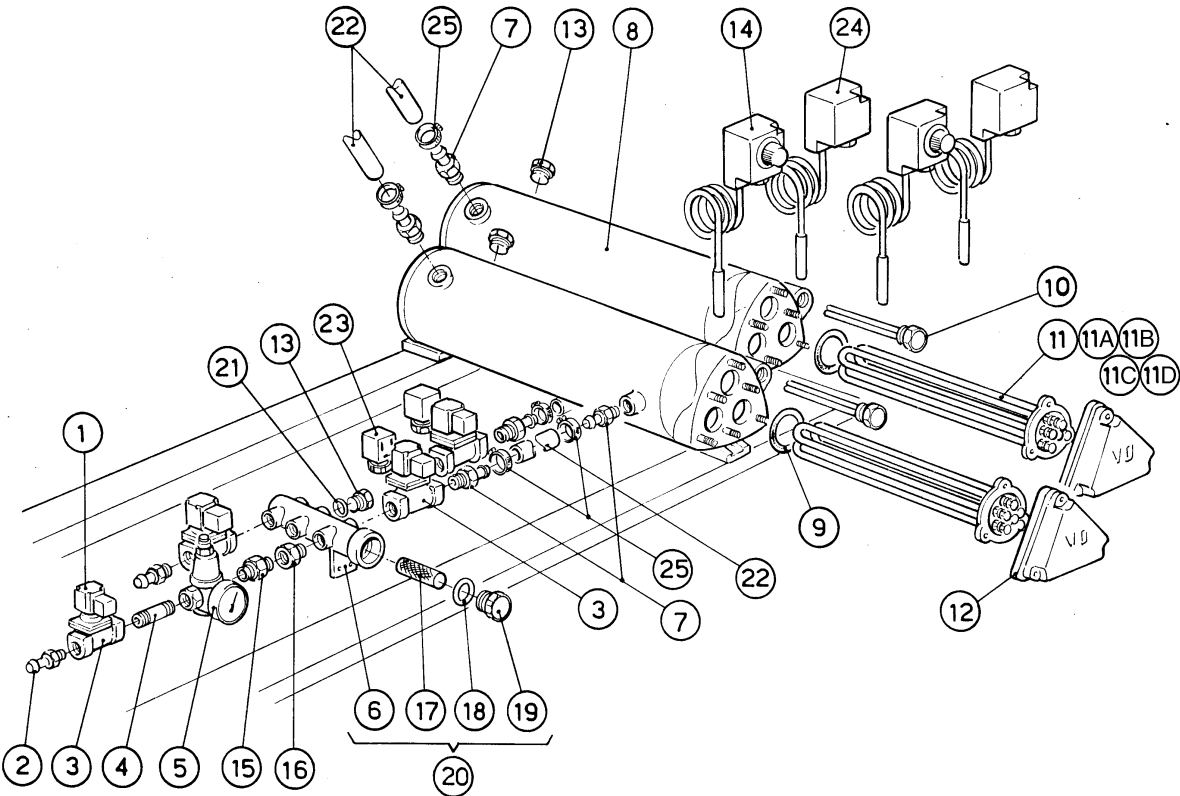
9 - Rinse assembly



## 9 - Rinse assembly

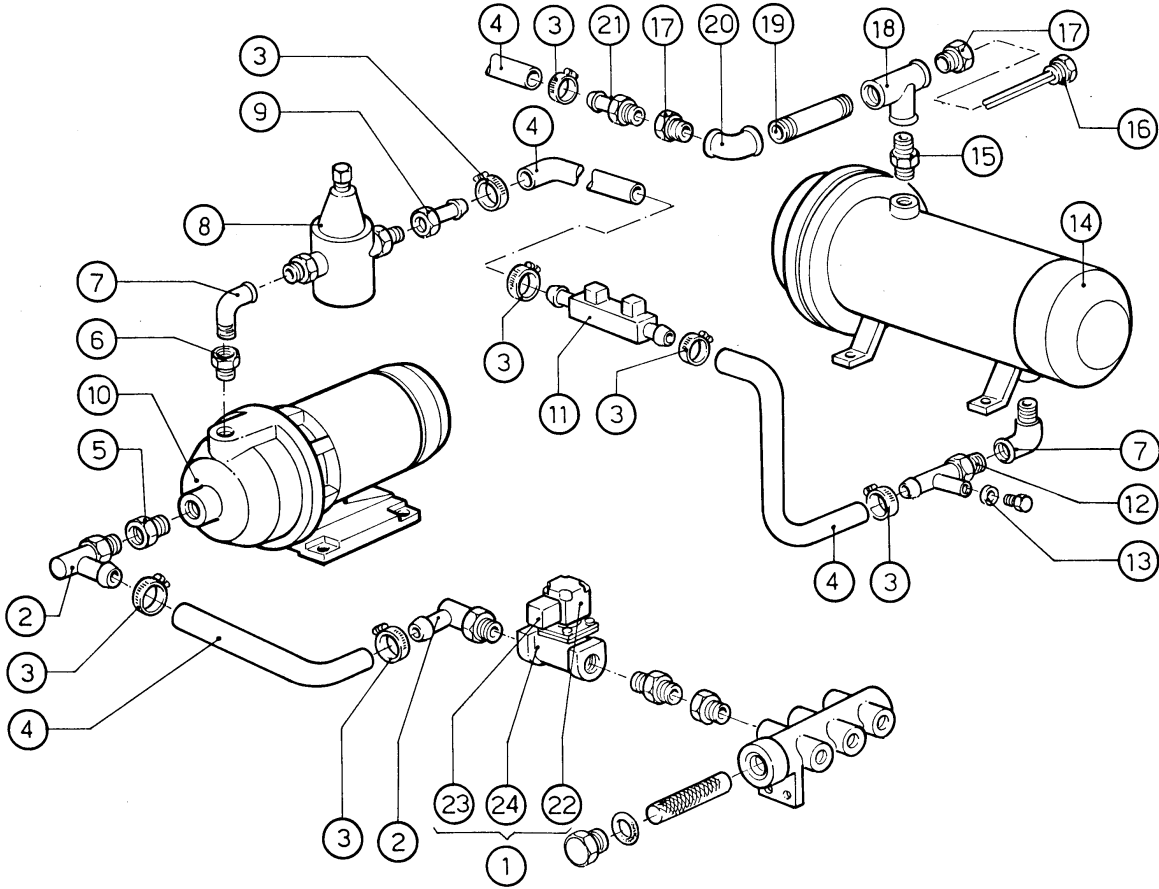
CODE	DESCRIPTION
160203	ELBOW 1"1/2 N-S-F-C /DRAIN
160301	DRAIN OUTLET 1"1/2 C-S-N
170926	RINSE JET HOLDER S-SE-NE
180102	DRAIN PIPE NUT 1"1/2 F45-55
180109	LOCK NUT 1 1/2"
180213	FLANGE F.JET LOCKING F2-C34
200113	RUBBER HOSE 12 X 22
200120	RUBBER HOSE 35X48
200410	DRAIN OUTL.WASH.1 1/2"65X47X2
200412	GASKET DRAIN 11/2" 45X33X3
200480	GASKET F. RINSE CONNECT.
200824	O-RING 1,78X12,42X15,98
270107	BRASS LOCK NUT 3/8" FL803
330547	FILTER F.TANK DRAIN NE/NG BTM
380320	RINSE JETS OV 1/8" 303 35LT 80
380321	RINSE JETS OV 1/8" 303 40LT 80
430141	RINSE ARM NG
430415	RINSE COLUMN NG
450105	CLAMP FE ZN. 26-38 H=12,2
460502	GASKET 30X21X2





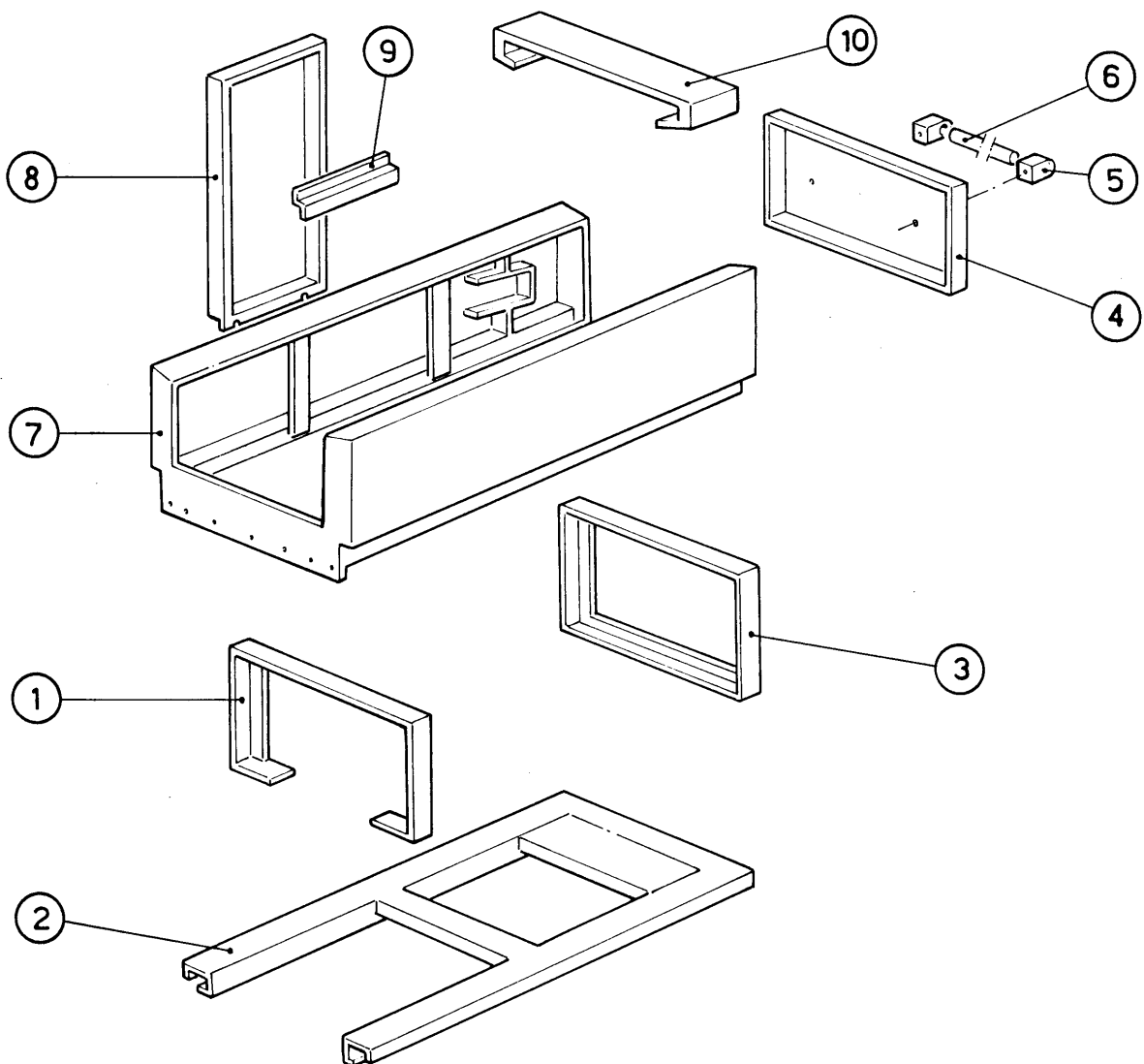
## 10 - Boiler-Kaltwasserzulauf

CODE	DESCRIPTION
110331	HEAT.ELEMENT 4200W 230/400V
110343	HEAT.ELEM. 8000W 220/380V
110349	HEAT.ELEMENT 6000W 230/400V
110362	HEAT.ELEMENT 9000W 220/380V
110367	HEAT.ELEMENT 12500W 230/400V
120131	SOLEN. L182Q31-ZB10A 1/2"24V
120512	THERMOSTAT IM50/210Ø
120520	SECURITY THERMOSTAT 110-130Ø
150034	CONNEC.F.SOLEN.VALVE 122.09.N
160709	KNOB OF MANIFOLD F. SOLEN. VAL
161113	ELEMENT COVER BLACK
200113	RUBBER HOSE 12 X 22
200814	O-RING 34,52X41,58X3,53
200815	O-RING F. HEAT.ELEM.
280504	MANIFOLD CONN.HOSE
281102	1/2" ADJ VALVE C/W GAUGE TYPE
290105	BRASS-TE-PLUG 1/2"
290215	1/2"BSP M/F UNION BRASS
290410	NIPPLE 1/2"
330322	INSULATED BOILER D.230 N/S
330524	SOLENOID VALVE MANIFOLD FILTER
331379	-TUBO COLL.RIDUTT.1/2"XS90 VAP
450115	ELASTIC CLAMP D.8,3/7,8
450516	THERMOSTAT SHIELD FOR 2 TERMOS
460522	GASKET
510268	SOLENOID VALVE MANIFOLD
510407	NIPPLE FOR BOILER N S
620110	TWIN SOLENOID VALVE MANIFOLD
630948	COIL Z610A 24V 50/60-L180V01



11 - Cold water feeding

CODE	DESCRIPTION
100698	PUMP HP 0,75-CEA120 (100789)
120131	SOLEN. L182Q31-ZB10A 1/2"24V
120154	KIT SOLEMOID VALVE 1/2"
150034	CONNEC.F.SOLEN.VALVE 122.09.N
160805	GASKET D.8
200113	RUBBER HOSE 12 X 22
251200	S/S NIPPLE 1/2"
251201	S/S NIPPLE 1/2"
270308	NIPPLES 3/4"
270309	CONNECTION 1"-1/2"
270310	CONNECTION 1"1/4-1/2"
280102	ELL FF 3/4"
280115	ELL 1/2"
280302	HOSE CLAMPS STRAIGHT 3/4"
280516	CONNECTION 14M X 2
281102	1/2" ADJ VALVE C/W GAUGE TYPE
310302	NIPPLE 3/4"-1/2"
330314	STEAM BOILER 30000 KCAL/H
331387	HOSE 3/4"
450104	CLAMP FE ZN H=12,5 15-24
450516	THERMOSTAT SHIELD FOR 2 TERMOS
510403	CONNECT.HOSE 90Ø1/2"X12
510407	NIPPLE FOR BOILER N S
630948	COIL Z610A 24V 50/60-L180V01



12 - Exit table

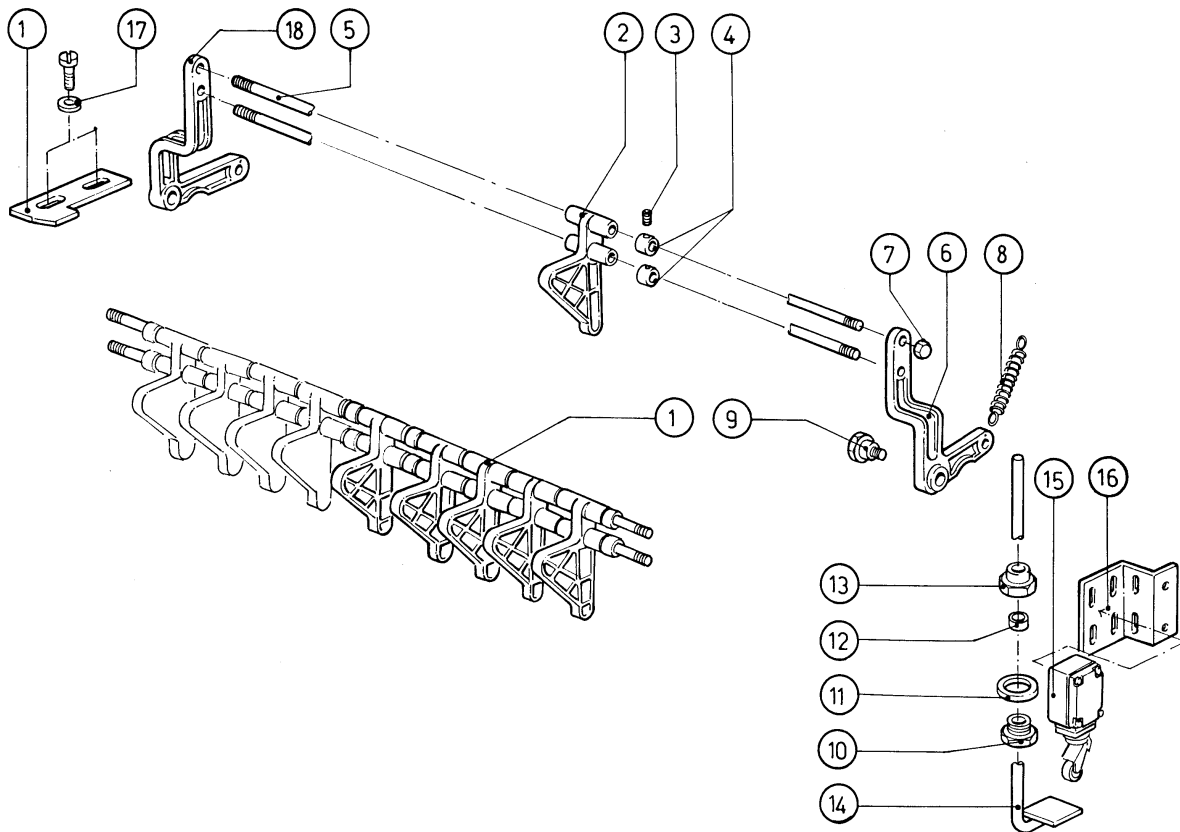
CODE	DESCRIPTION
190129	HANDLE SUPPORT SE NE GREY
320971	DOOR
331012	HANDLE 412 MM DOOR SE NE G115
340220	SUPPORT
340576	EXIT TABLE 800 NG
340614	ENTRY TABLE COVER
360201	COVER
391211	FRAME
391243	FRAME
391244	FRAME



## 13 - Drive unit

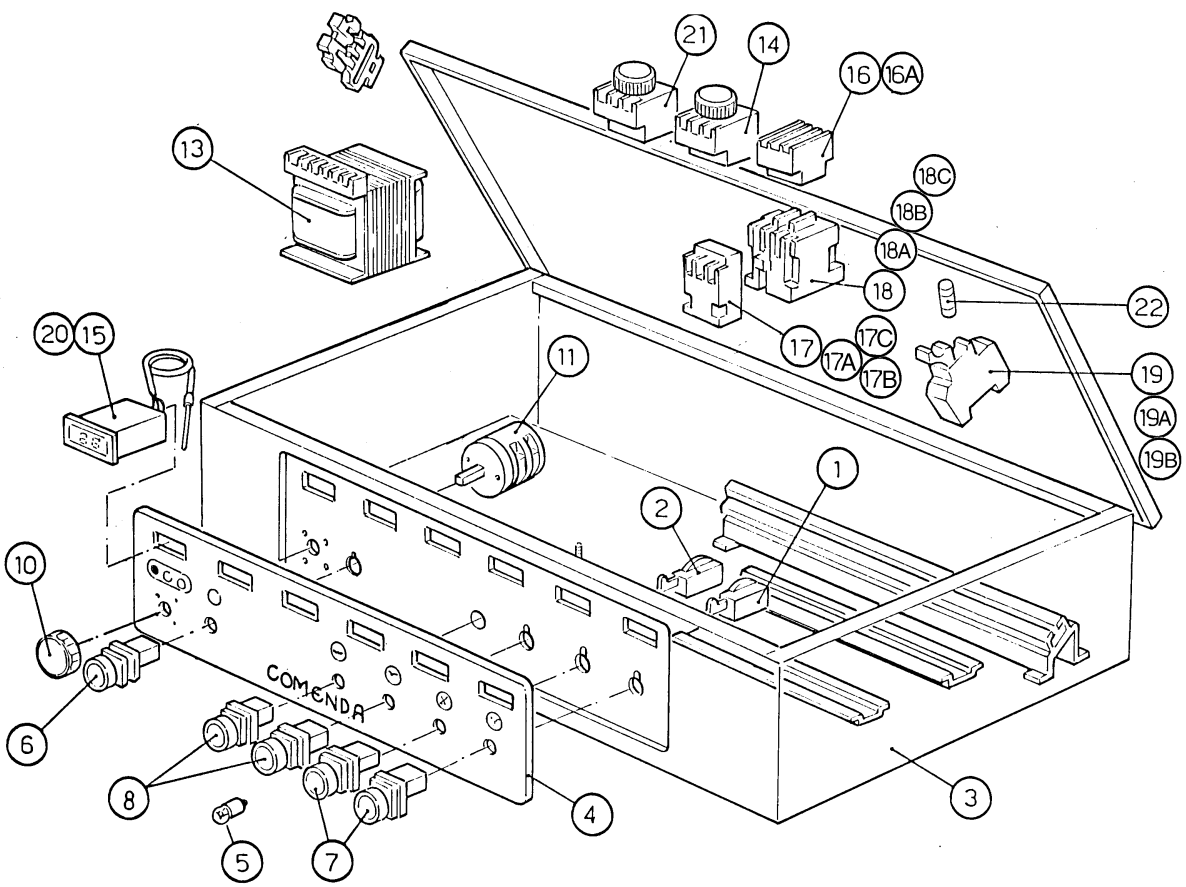
CODE	DESCRIPTION
100236	VARIABLE DRIVE MOTOR 220/380
180201	DRILLED FLANGE 85 /DRIVE
180202	BLIND FLANGE D.85 (DRIVE) N
200802	OR GASKET 3,53X44,05X51,11
330201	ROD FOR BELT ADJUSTING "N"
341268	PIN FOR CONVEYOR
341269	PIN
381101	PLATE
391003	SHORT PIN F.CHAIN TIGHTENER N-
391101	NICKEL-PLATED CHAIN TIGHTEN.RO
391104	CHAIN TENSER
410107	BEARINGS 9X24X7
410109	BEARINGS 17X40X12 6203
410110	BEARINGS 20X42X12 6004
410259	PINION Z16 D.32 1/2
410305	CROWN DISCS 70T 1/2" PITCH
410401	NICKEL-PLATED TORQUE LIMITER L
410801	DRIVE CHAIN 1/2" N-S
410902	FALSE CHAIN LINK 1/2"
410903	CHAIN JOINT 1/2"
440401	SEAL RING 19X31X6
440402	SEAL RING 20X30X5
440802	SEAL RING D.17 EXT.
450203	STAINL.ST.MICRO SPRING D.10
451116	ELASTIC PIN 6X40
510229	DRIVE SHAFT SPROCKET
510249	NICKEL-PLATED BEARING F. SHAFT
510250	BEARING OF SHAFT N
510251	BEARING OF IDLE SHAFT N
620252	MICROSWITCH KIT
620253	SPINDLE





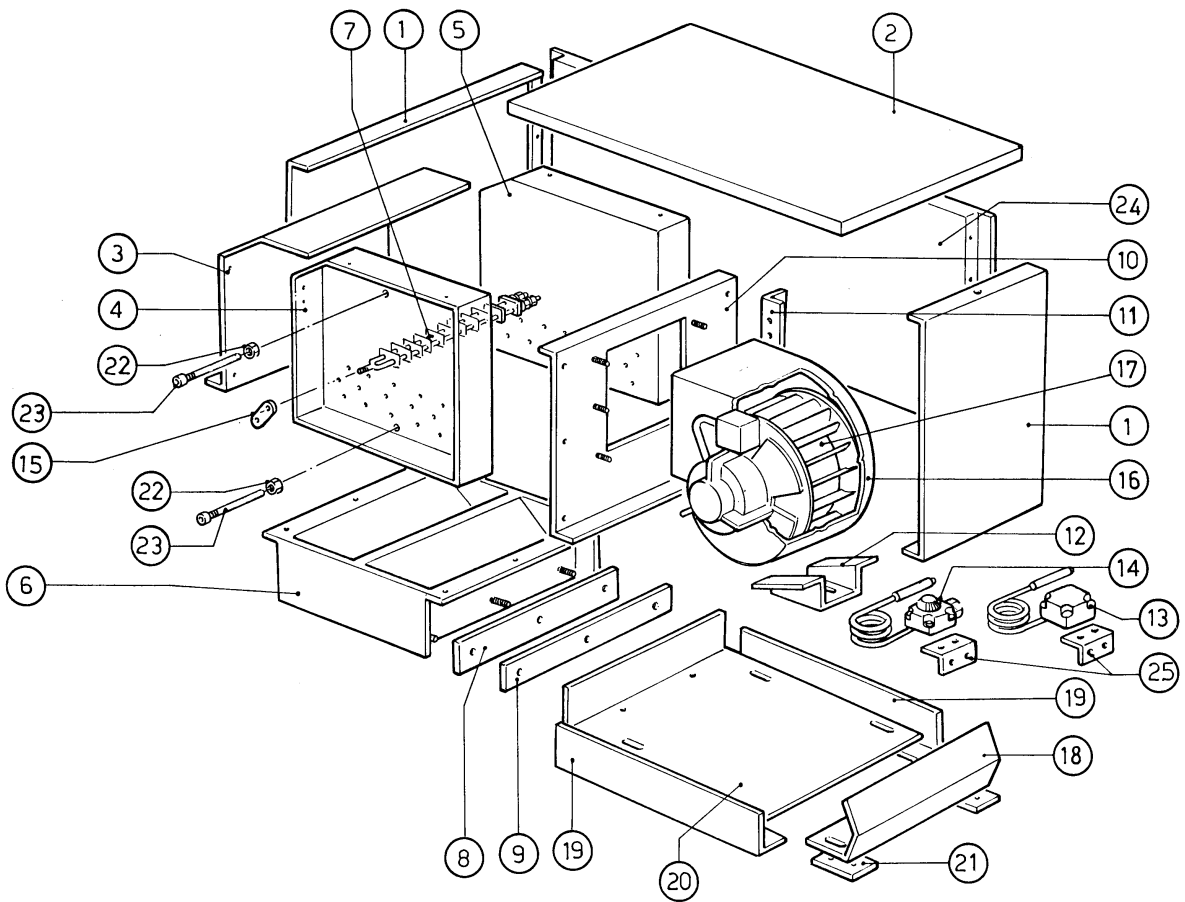
14 - Limit switch

CODE	DESCRIPTION
120326	MICRO SWITCH FD 102
170206	PEG N IN MOPL / END RUN ARM
200437	GASKET FOR END RUN ARM N GACO
280406	NICKEL-PLATED BUSH F.KNOCK OFF
290702	HEXAGON BLIND NUTS 8M H15
330203	ROD FOR MICRO CONTROL "N"
330230	TIE ROD F. END RUN ARM NG
330828	STIFF.SPACERS FOR END RUN ARM
340434	CRANK HEAD PIN
350770	BRACKET F.MICRO /NOCK OFF GATE
370308	CONVEYOR END RUN NG
380109	THREADED BUSH 1/2" KNOCK OFF G
381301	WASHER D.25
450213	STAINL.ST SPRING D.10 LIMIT SW
451118	ELASTIC PIN 4X40
460502	GASKET 30X21X2
510224	RIGHT SUPPORT LEVER F.END RUN
510225	LEFT SUPPORT LEVER F.END RUN



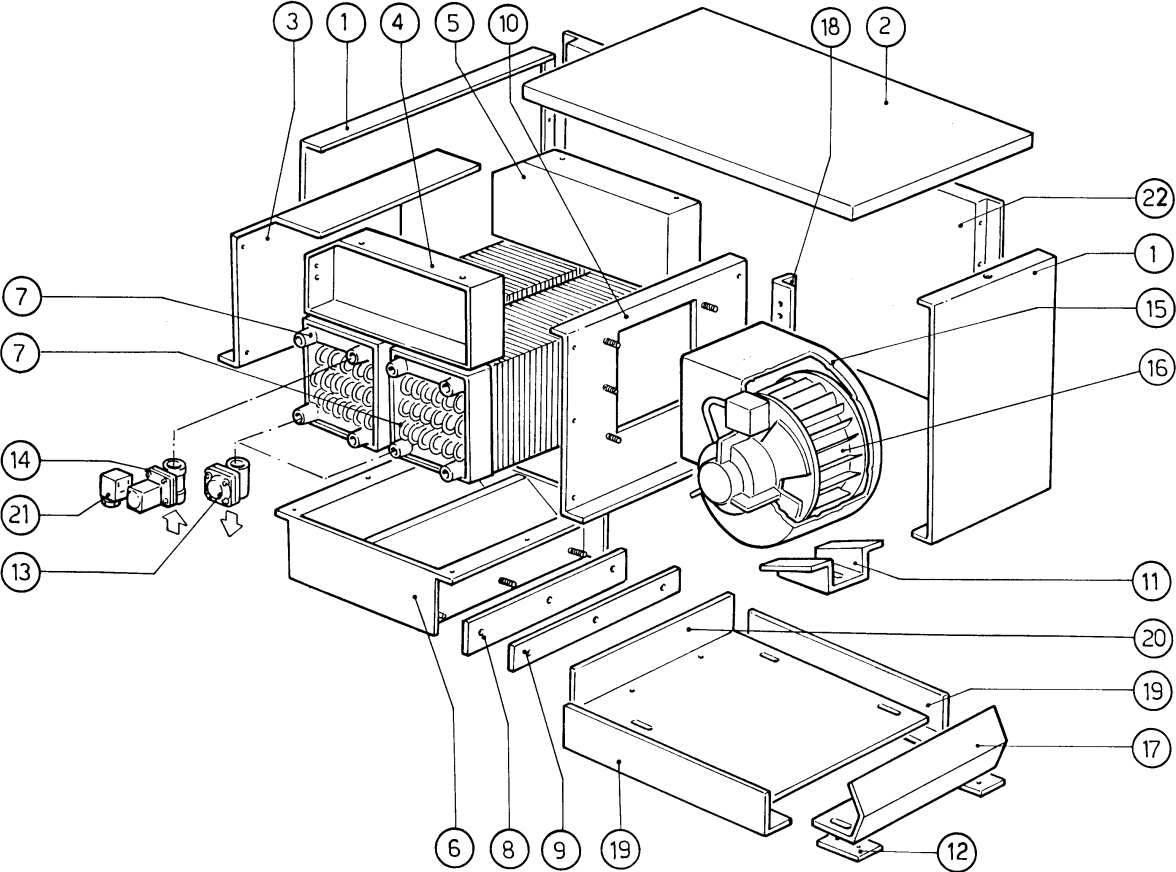
## 15 - Control Box

CODE	DESCRIPTION
120428	CONTACTOR 9A 24V 50HZ
120430	CONTACTOR 17A 24V 50HZ
120431	CONTACTOR 40A 24V 50HZ
120437	CONTACTOR 25A 24V 50HZ
120613	TRANSFORMER 500VA 220-240-380-
120718	SWITCH 25 AMP FOUR-POLE 500V
120822	OVERLOAD RELAY 1,6-2,5A
120823	OVERLOAD RELAY 2.5/4 A
120824	OVERLOAD RELAY 4/6 A
120825	OVERLOAD RELAY 5,5/8 A
130138	LIGHT WITH BAYONET COUPLING 3W
130410	STOP CONTACT F40 CN RED
130411	START CONTACT YELLOW
130413	GREEN PUSH BUTTON
130910	CONTACT LA1 D20 A65
130911	CONTACT LA1 D40 A65
130912	TIMER CONTACT 0,1/30SEC. LA3D2
150105	LAMP RED D.22X5
150106	LAMP GREEN 22X5
150710	FUSE CARRIER 10,3X38 ART.21401
150711	FUSE CARRIER 14X51 ART.21501
150712	FUSE CARRIER 22X58 ART.21601
180111	BLACK KNOB
321544	BOX FOR CONTROL PANEL
450911	DIGITAL THERMOSTAT MTR10P 24/5
450912	DIGIT.THERMOMETER MT10P V24/50
460863	PANEL (460865)



16 - Blower Dryer 1000

CODE	DESCRIPTION
100535	FAN HP 2 220/3-50 AT10-8DD
110704	HEAT.ELEMENT/DRYING 1000W 220V
120512	THERMOSTAT IM50/210Ø
120520	SECURITY THERMOSTAT 110-130Ø
140101	BRASS CONNECT. PLATE HEAT.ELEM
160524	SPACER OF SHAFT SE
190915	FIXING PLATE
270101	HEXAGON LOCK NUT 1/2"
320143	DEFLECTOR F. DRYER 1000MM
320144	DRYER DEFLECTOR
320358	TOP FOR DRYER 1000MM
320669	FIXING PLATE
331441	BRACKET FOR DRYING VENTILATOR
331459	BRACKET FOR DRYING VENTILATOR
341327	FAN SUPPORT
341352	SUPPORT
341354	RIGHT SUPPORT FOR DRYER 18KW 1
341355	LEFT SUPPORT FOR DRYER 18KW 10
341373	PANEL
350258	PANEL
350737	BRACKET FOR CLOSED THERMOSTATS
360913	BACK PANEL 1000MM NE XL
450515	STAINL.ST.SHIELD FOR 1 THERMOS
630312	FAN IMPELLOR X C 100531 D.300X

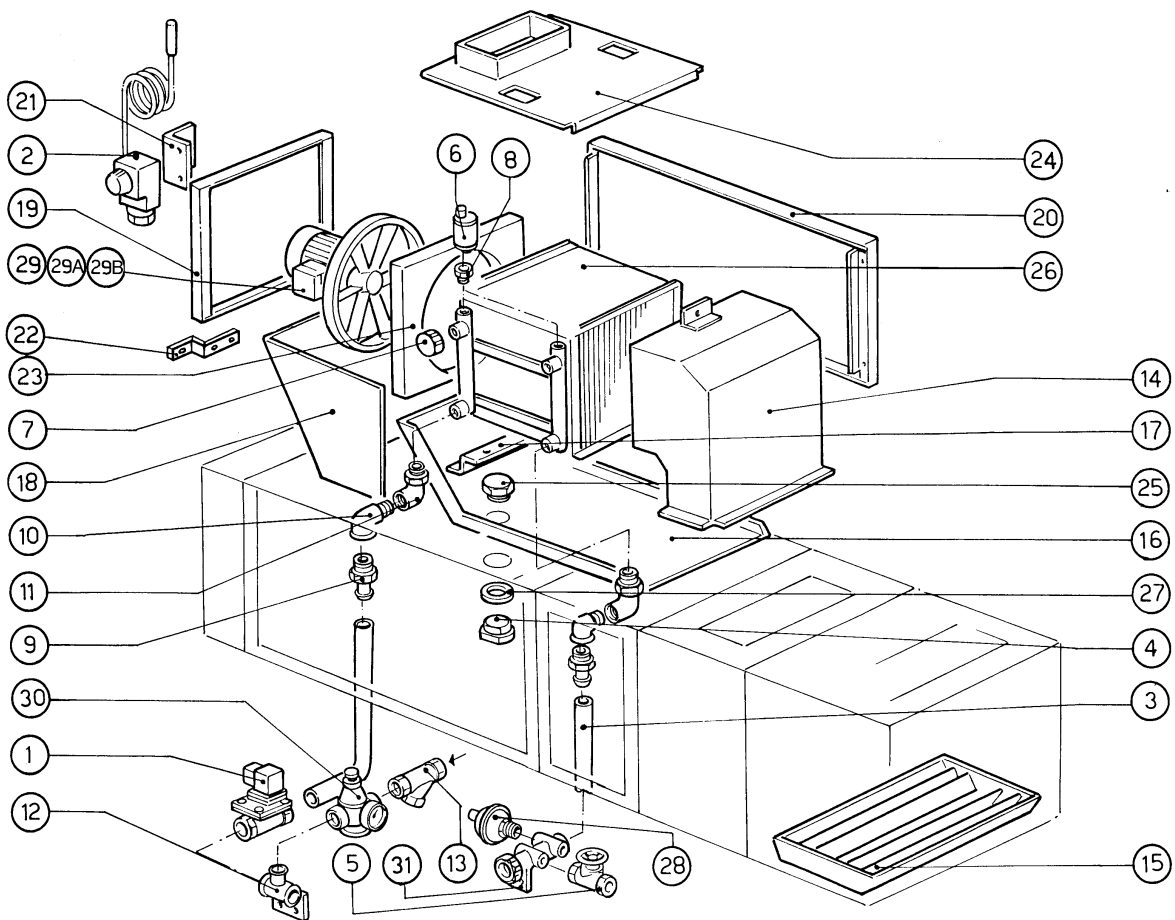


**17 - Steam Blower Dryer 1000**

<b>CODE</b>	<b>DESCRIPTION</b>
100535	FAN HP 2 220/3-50 AT10-8DD
120108	SOLENOID V. STEAM 24V50HZ 1"G
150033	CONNEX.F.SOLEN.VALVE 182.09.N
160524	SPACER OF SHAFT SE
190915	FIXING PLATE
310702	STEAM TRAP 1/2" MK 25/3
320143	DEFLECTOR F. DRYER 1000MM
320144	DRYER DEFLECTOR
320358	TOP FOR DRYER 1000MM
320669	FIXING PLATE
331441	BRACKET FOR DRYING VENTILATOR
331459	BRACKET FOR DRYING VENTILATOR
341327	FAN SUPPORT
341352	SUPPORT
341356	RIGHT PANEL
341357	LEFT PANEL
341373	PANEL
350258	PANEL
350737	BRACKET FOR CLOSED THERMOSTATS
360913	BACK PANEL 1000MM NE XL
400815	BATTERY FOR DRYING (9-12KW) SE
630312	FAN IMPELLOR X C 100531 D.300X

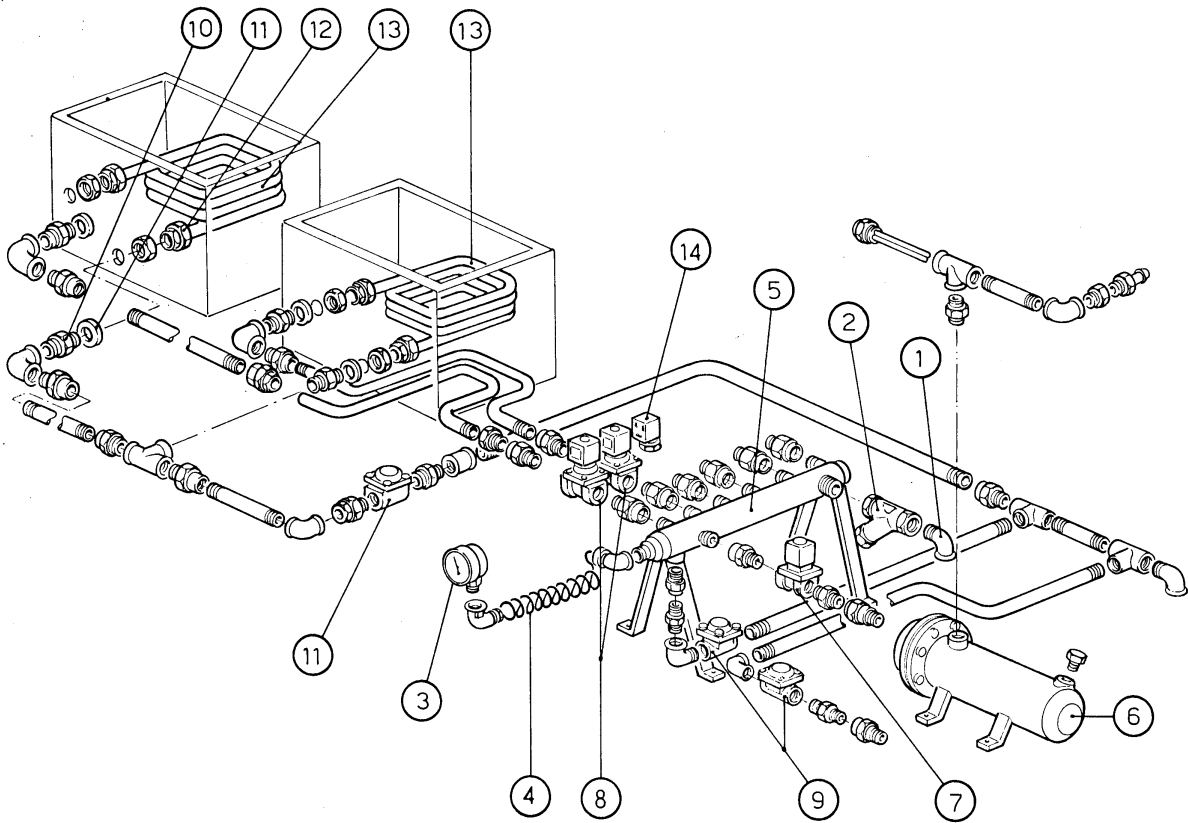


# 18 - Heat recovery unit



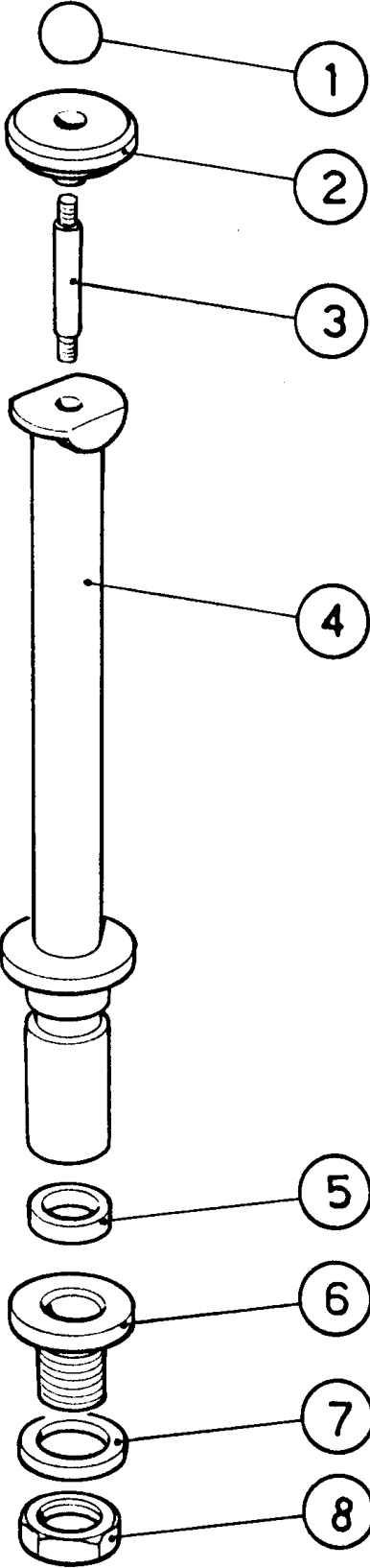
18 - Heat recovery unit

CODE	DESCRIPTION
100512	FAN HP 0,75 400EVH/4/27
100518	FAN HP0,75 240/415/50 (100512)
100522	FAN HP 1 240/415V (100521)
120123	SOLENOID VALVE L180B12 1" V.24
120515	THERMOSTAT 0-90°C
200104	DISCHARGE HOSE 20X30
280408	NUT
280601	GATE VALVE 1/2" BRASS
280605	AUTOMATIC AIR VENT 1/4" GAS
281101	3/4" ADJ VALVE C/W GAUGE
290118	BRASS TE PLUG 3/4"
290306	CONNECTION 1/4 MF
290403	NIPPLE M.3/4" BRASS
300410	ELL 3/4" MF
300612	UNION ELL 3/4" F-F
300914	TEE 1"
310603	STRAINERS JU 1" MOD.45
320105	DEFLECTOR F. DRYER
320111	DEFLECTOR F. HRU
320128	BREAKER (320150)
330774	BRACKET
340320	PANEL
350258	PANEL
350296	PANEL
350737	BRACKET FOR CLOSED THERMOSTATS
350752	BRACKET
350809	SUPPORT
360910	COVER
380146	CONDENSER UNIT DRAIN CONNECTIO
400809	CONDENSER BATTERY ENERGY REC.
460503	SEALING WASHER 38X27X2(3/4)
620121	TWIN SOLENOID VALVE MANIFOLD
631303	HYDRAULIC AIR VESSEL FOR HEAT



**19 - Steam heated machine**

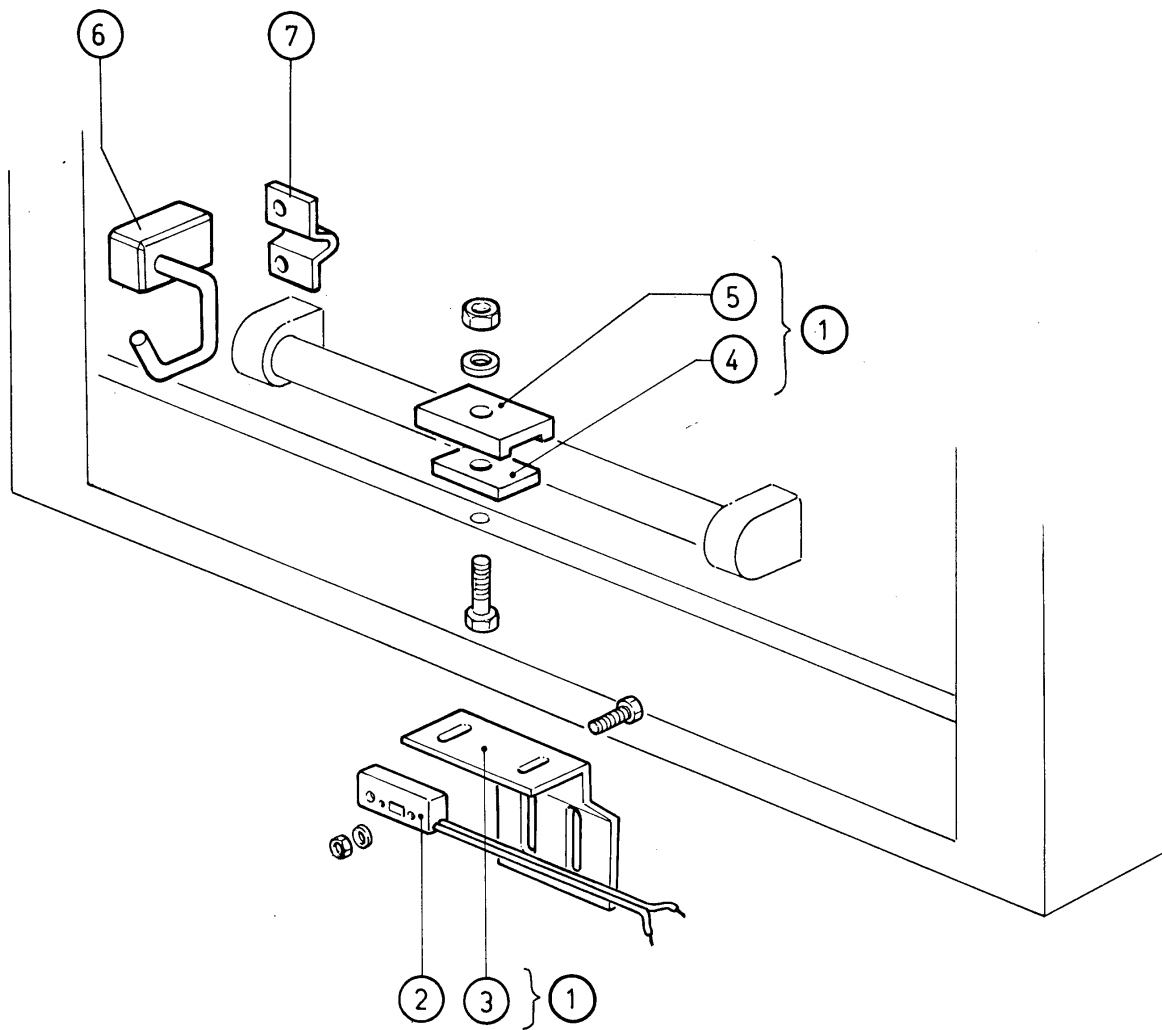
<b>CODE</b>	<b>DESCRIPTION</b>
120108	SOLENOID V. STEAM 24V50HZ 1"G
120165	SOLEN.VALVE ST.24V50HZ 3/4"
150033	CONNEC.F.SOLEN.VALVE 182.09.N
240719	S/S STEAM COIL 18000 KCAL NE/N
270102	LOCK NUT 3/4"
280512	STEAM COIL CONNECTION
300415	ELL 2" MF
310604	STRAINERS JU 2" MOD.45
310705	STEAM TRAPS MK25/3 D.1/2"
330314	STEAM BOILER 30000 KCAL/H
381404	HOSE STEAM GAUGE
400533	ST/ST STEAM MANIFOLD FOR NE MA
441401	PRESSURE GAUGE 60 SCALO-4CR1/4
460503	SEALING WASHER 38X27X2(3/4)



## 20 - Drain Parts

CODE	DESCRIPTION
160738	COVER PLATE F.OVERFLOW PIPE S2
180126	HANDLE F.OVERFLOW PIPE SNL
200410	DRAIN OUTL.WASH.1 1/2"65X47X2
200424	O RINGS WASH/PRE-WASH ARMS
270104	LOCK NUT 1" 1/2
270405	DRAIN OUTLET N
341278	SPACER FOR NG OVERFLOW
380820	OVERFLOW PIPE/1ØWASH. TANK NG9

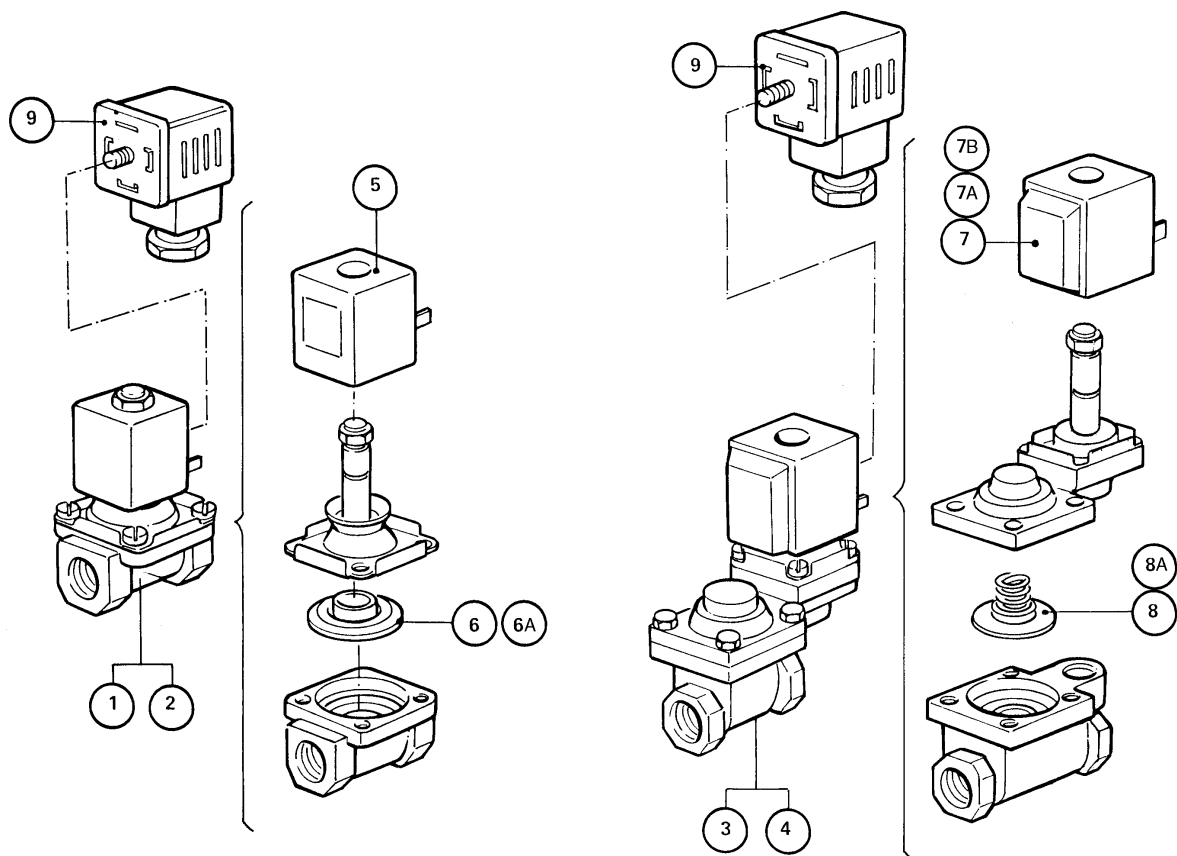
21 - Door micro-switch assy.



21 - Door micro-switch assy.

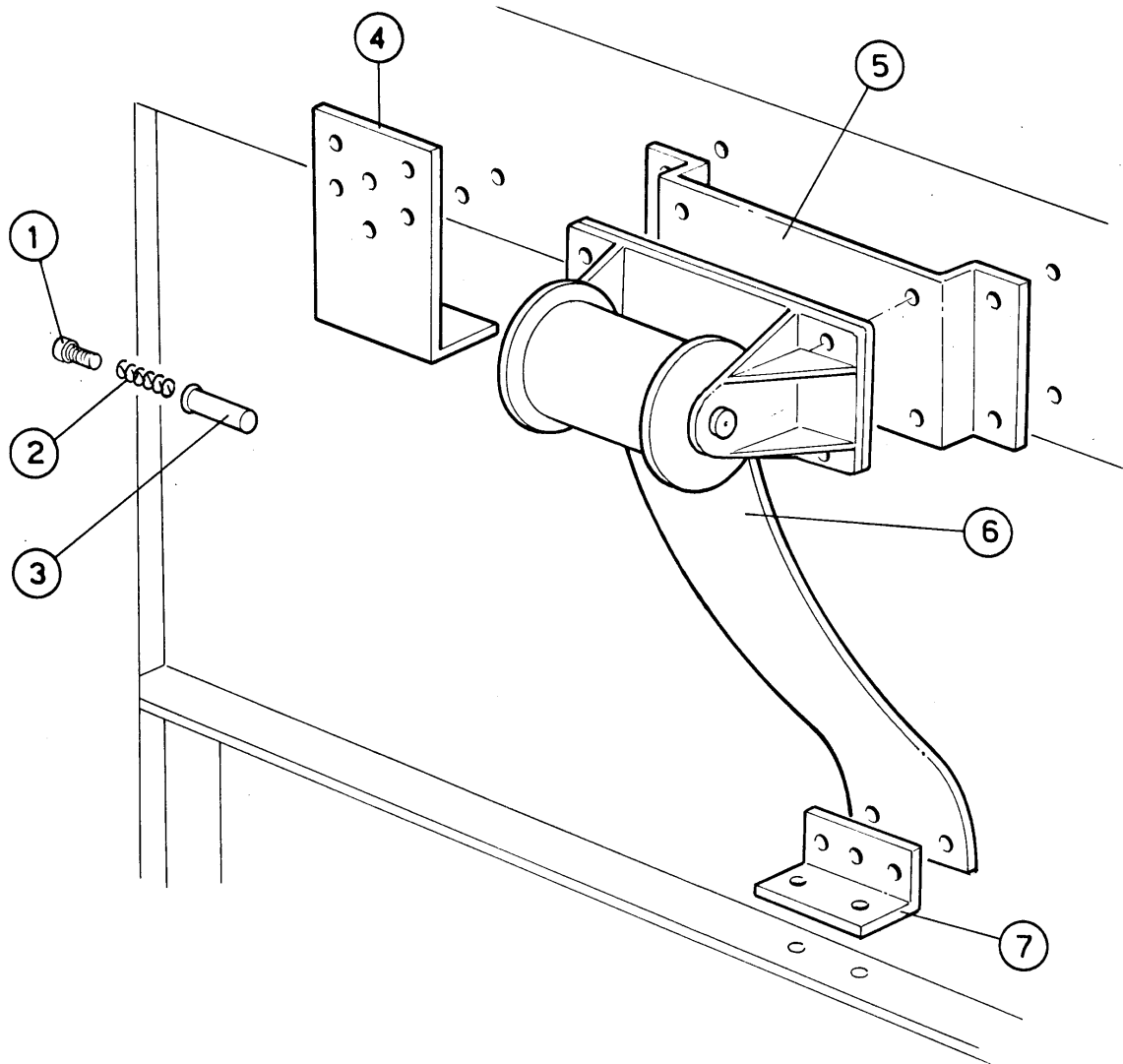
CODE	DESCRIPTION
120342	DOR MAGNETIC SWITCH
190806	MAGNET HOUSING
331112	HOOK (331116)
331454	MICRO SWITCH BRACKET
341016	BRACKET FOR DOOR SECURITY HOOK
411002	PERMANENT MAGNET 24X12
620233	DOOR MAGN.SWITCH G/NE/NG/LV





## 22 - Solenoid valve

CODE	DESCRIPTION
120108	SOLENOID V. STEAM 24V50HZ 1"G
120162	SOLENOID VALVE L145R1Z734A 3/4
120163	SOLEN.VAL.ST.L145R1Z234A 1"24V
120165	SOLEN.VALVE ST.24V50HZ 3/4"
150033	CONNEC.F.SOLEN.VALVE 182.09.N
630611	SOLEN.VALVE DIAPHRAGM L149/D4-
630625	KIT F.SOLEN.VALVE
630626	KIT FOR SOLENOID VALVE 145 1"
630628	KIT F.SOLEN.V.L153D1 3/4"
630952	COIL F.SOLEN.VALVE 3/4" 24V L1
630972	COIL Z534A/V.24-L145A-3/4
630973	COIL Z614A/V.24-L145-3/4 A
630974	COIL Z134A/220V.L153D7BP3/4



**23 - Door counterbalance**

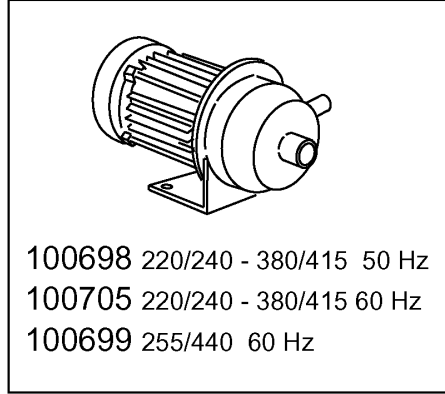
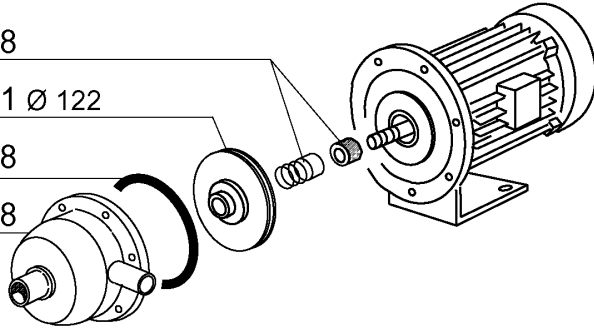
<b>CODE</b>	<b>DESCRIPTION</b>
330845	BUSH FOR DOOR FRICTION RAIL N
331426	BRACKET F. HOOD SPRING FIXING
331430	BRACKET FOR DOOR SPRING
331712	BRACKET
341239	PIN F.DOOR FRICTION RAIL N S
391309	DOOR SPRING 4KG - 40MM
450215	SPRING F.SWITCH ROD R/B41-11-2

630518

631661 Ø 122

200848

630128



100698 220/240 - 380/415 50 Hz

100705 220/240 - 380/415 60 Hz

100699 255/440 60 Hz

HP 0,75 / Kw 0,55 **(CEA 120/2)**

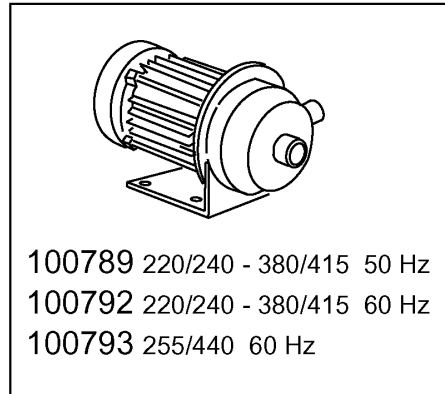
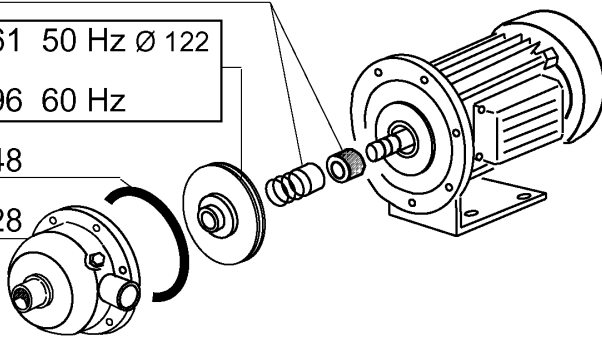
630529

631661 50 Hz Ø 122

631696 60 Hz

200848

630128



100789 220/240 - 380/415 50 Hz

100792 220/240 - 380/415 60 Hz

100793 255/440 60 Hz

HP 0,75 / Kw 0,55 **(CEA 120/2/A)**

630520

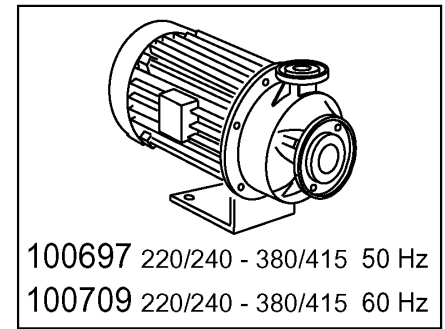
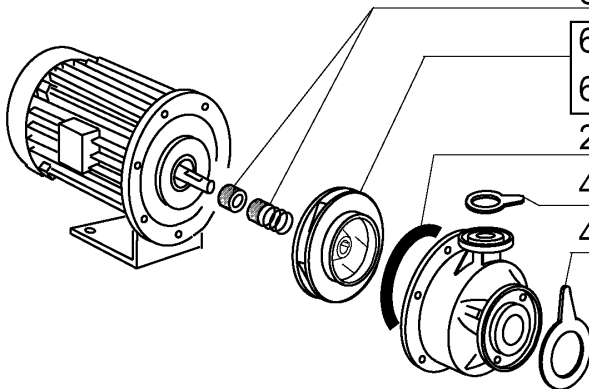
631693 50 Hz Ø 116

631694 60 Hz Ø 90

200948

460526

460525



100697 220/240 - 380/415 50 Hz

100709 220/240 - 380/415 60 Hz

HP 4 / Kw 3 **(SHE 50)**

**24 - Pump**

<b>CODE</b>	<b>DESCRIPTION</b>
100697	PUMP HP 4 230/400/50 SHE 50
100698	PUMP HP 0,75-CEA120 (100789)
100699	PUMP 1HP 255/440 60HZ CE1206/1
100705	PUMP HP0,75 220-380 60H(100792)
100709	PUMP HP 4 220/380/415V 60HZ
100789	PUMP HP 0,75 220/415V
100792	PUMP HP 0,75 220/415
100793	PUMP HP 0,75
200848	O-RING FOR PUMP 0,75 HP CEA 12
200948	OR GASKET
460525	GASKET INLET ELBOW WASH PUMP
460526	GASKET DELIVERY ELBOW WASH P.
630128	PUMP VOLUTE 0,75HP CEA120/2
630518	PUMP SEAL HP0,75 CE120
630520	PUMP SEAL HP4-HTE50E
630529	SEAL FOR PUMP HP0,75 CEA120/2A
631661	IMPELLER PUMP 0,75HP LOW.CE120
631693	IMPELLER FOR PUMP 100697
631694	IMPELLER
631696	IMPELLER 60HZ FOR PUMP 100792